



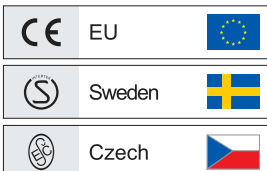
NCH8 Modular AC Contactor

1. General

- 1.1 Electric ratings: up to 20A, 40A, 60A, 230V, AC50/60Hz;
- 1.2 Utilization category: AC-1, AC-7a, AC-7b;
- 1.3 Standard: IEC/EN 61095
- 1.4 Detailed certificates information, please refer to Certificates Table on P151.

3. Features

- 3.1 Compact design and modularization design;
- 3.2 Insulation material with excellent performances has been adopted to enhance the operation security to a great extent;
- 3.3 Elegant appearance. A mounting instruction diagram is appended for convenient operation;
- 3.4 No noise during operation.



2. Technical Data

2.1 Ratings

Model	Utilization category	Ui (V)	Ue (V~)	Conventional heating current (A)	Ie (A)	Controlled power (kW)
NCH8-20	AC-1,AC-7a	500	230	20	20	4
NCH8-20	AC-7b	500	230	20	9	1.2
NCH8-40	AC-1,AC-7a	500	400	40	40	40
NCH8-63	AC-1,AC-7a	500	400	63	63	40

2.2 Making and breaking capacity

Model	Utilization category	Making and breaking conditions			Electrification time (s)	Interval time (s)	Operating cycle times
		Ic/Ie	Ur/Ue	COS ϕ			
NCH8-20	AC-1,AC-7a	1.5	1.05	0.8	0.05	10	50
NCH8-20	AC-7b	8	1.05	0.45	0.05	10	50
NCH8-63	AC-1,AC-7a	1.5	1.05	0.8	0.05	10	50

2.3 Conventional Operating Performances

2.3.1 Conventional operating performances of NCH8-20

Utilization category	Making conditions			Breaking conditions			Electrification time (s)	Interval time (s)	Operating frequency
	I/Ie	U/Ue	COS ϕ	Ic/Ie	Ur/Ue	COS ϕ			
AC-1	1.0	1.05	0.8	1.0	1.05	0.8	0.05	10	6000
AC-7a	1.0	1.05	0.8	1.0	1.05	0.8	0.05	10	30000
AC-7b	6.0	1.0	0.45	1.0	0.17	0.45	0.05	10	30000

2.3.2 Conventional operating performances of NCH8-40/63

Utilization category	Making and breaking conditions			Electrification time (s)	Interval time (s)	Operating frequency
	Ic/Ie	Ur/Ue	COS ϕ			
AC-1	1.0	1.05	0.8	0.05	10	6000
AC-7a	1.0	1.05	0.8	0.05	10	30000

2.4 Conventional heating current under different ambient temperature

Rated current	40°C	50°C	60°C	70°C
Ie=20A	20A	18A	16A	14A
Ie=40A	40A	38A	36A	32A
Ie=63A	63A	57A	50A	46A

2.5 Number of appended lamps with voltage up to 230V

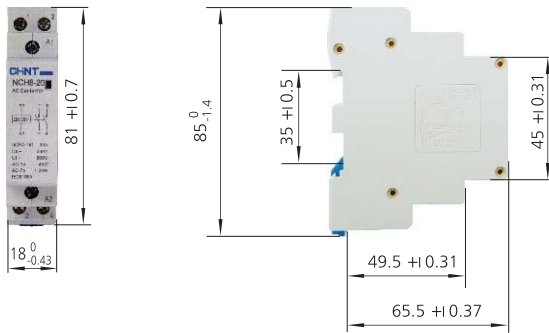
	Tungsten filament and halogen 230V								
	40W	60W	75W	100W	150W	200W	300W	500W	1000W
Unit power	40W	60W	75W	100W	150W	200W	300W	500W	1000W
20A	45	35	29	22	14	12	8	5	2
40A	118	87	72	52	36	26	18	11	7
63A	150	112	95	70	47	34	25	15	8

2.6 Number of appended lamps with voltage up to 12V

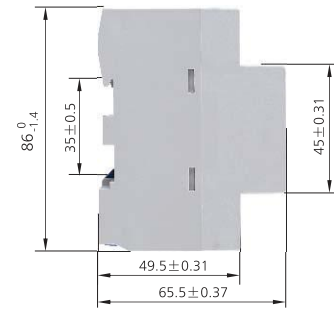
	Tungsten filament and halogen 12V				
	40W	60W	75W	100W	150W
Unit power	40W	60W	75W	100W	150W
20A	18	12	10	8	5
40A	45	29	25	20	15
63A	62	40	33	27	18

4. Overall and Mounting Dimensions (mm)

NCH8-20



NCH8-63



5. Ordering Information

Model	Coil voltage	Number of contact	CTN	Order Code	
				Standard	RoHS
NCH8-20	220/230V	2NO	180	153000	971874
NCH8-20	24V	2NO	180	153001	971875
NCH8-20	220/230V	1NO+1NC	180	153002	971876
NCH8-20	220/230V	2NO	180	-	985598
NCH8-20*	24V	1NO+1NC	180	-	-
NCH8-20*	24V	2NO	180	-	-
NCH8-40	220/230V	4NO	180	153004	971879
NCH8-40*	220/230V	3NO+1NC	60	-	-
NCH8-40*	220/230V	2NO+2NC	60	-	-
NCH8-40*	220/230V	4NC	60	-	-
NCH8-63	220/230V	4NO	60	153012	971887
NCH8-63*	220/230V	3NO+1NC	60	-	-
NCH8-63*	220/230V	2NO+2NC	60	-	-
NCH8-63*	220/230V	4NC	60	-	-

Note: Products marked with * are under development